

**esatto**

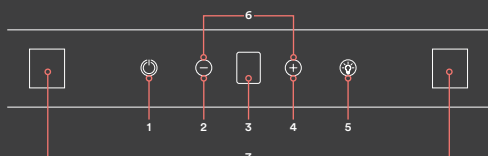
This little Quick Start Guide is everything you need to start capturing cooking odours & steam with your ERU52TB 52cm Undermount Rangehood!



esatto

# Get ready to use your ERU52TB 52cm Undermount Rangehood!

## The Controls



- 1 Power Button**
- 2 Decrease Speed Button**
- 3 Digital Display**  
“1” – Fan extracts at the lowest speed.  
“2” – Fan extracts at a medium speed.  
“3” – Fan extracts at the highest speed.
- 4 Increase Speed Button**
- 5 Light Button**
- 6 Delayed Power Off**  
To automatically power off your rangehood after 5 minutes.
- 7 Gesture Control Sensors**

For a complete guide on operating your rangehood, refer to user manual on page 14.

## Get in Touch

Need help? Contact our friendly support team via the contact details below.

Phone / 1300 11 4357

Email / [support@residentiagroup.com.au](mailto:support@residentiagroup.com.au)

## Product Details

Dimensions (W, D, H mm) / 520 × 295.6 × 270.8

Extraction / 750m<sup>3</sup>/hr

Warranty / 2 Years

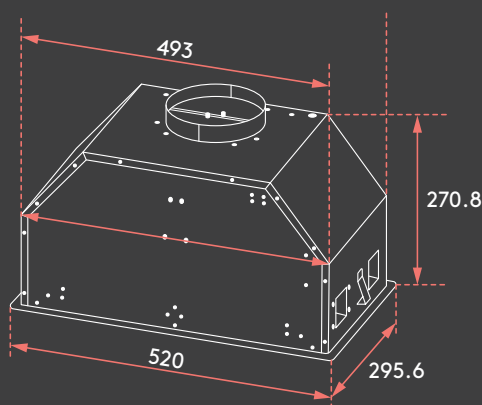
Register your Esatto product online for a free additional year [esatto.house/warranty](http://esatto.house/warranty)

## Installation & First Use

Before installing your new 52cm Undermount Rangehood, please ensure you have read all safety instructions in the user manual.

### Installation



Please refer to the dimensions of your rangehood shown in the diagram below.



For safety and performance of your rangehood, adhere to the minimum and maximum distances from the rangehood base to the cooktop surface when positioning the rangehood for installation.

For a complete installation guide, refer to user manual pages 10–13.

## We're on Socials!

 @esatto.house  @esatto.house

[www.esatto.house](http://www.esatto.house)